

ZANUSSI

Instructions for the use and care of ZB3201/3TPR refrigerator/freezer

Installation

Warning

If you are discarding an old appliance that has a lock or catch on the door, please ensure that this is made unusable to prevent young children getting trapped inside.

Electricity Supply

The appliance is for operation on a 220/240 V. 50 Hz supply, so be sure that your electricity supply voltage is within this range which is also marked on the nameplate located inside the cabinet.

Earthing

WARNING:

THIS APPLIANCE MUST BE EARTHED. The manufacturer declines any liability should this safety measure not be observed.

If the plug that is fitted to your appliance is not suitable for your socket outlet, it must be cut off and the appropriate plug fitted.

The cut off plug should be disposed of to prevent the hazard of electric shocks in case it should be plugged into a 13 A socket in another part of your home.

Electrical connection

IMPORTANT: The wires in this mains lead are coloured in accordance with the following code:

GREEN AND YELLOW- EARTH
BLUE- NEUTRAL
BROWN- LIVE

If you fit your own plug, the colours of the wires in the mains lead of your appliance may not correspond with the markings identifying the terminals in your plug. This is what you have to do:

Connect the green and yellow (earth) wire to the terminal in the plug which is marked with the letter "E" or the earth symbol \perp , or coloured green, or green and yellow.

Connect the blue (neutral) wire to the terminal in the plug which is marked with the letter "N" or coloured black.

Connect the brown (live) wire to the terminal which is marked with the letter "L" or coloured red.

The plug moulded on to the cord incorporates a fuse. For replacement use a 13 Amp BS 1362 fuse. Only ASTA approved fuses should be used.

The fuse cover/carrier must be replaced in the event of changing fuse.

The right fuse cover/carrier colour is the one shown by the coloured insert at the base of the plug.

The plug must not be used if the fuse cover/carrier is lost.

A replacement cover/carrier must be obtained from Zanussi Service Agents whose addresses are listed on the attached "Zanussi Service and Spares Nationwide".

THIS APPLIANCE COMPLIES WITH E.E.C. DIRECTIVE NO. 76/889 OF 4.11.76 RELATIVE TO RADIO INTERFERENCE SUPPRESSION.

Some models have the main terminal board of the type shown in fig.1.

To gain access to the terminals of the supply cable, unplug appliance from wall socket and remove the lid from the terminal board by releasing the two catches "A" and "B", with the aid of a small blade screwdriver.

Location and levelling

Locate the appliance away from heat sources and in such a way that air can circulate freely to the back and around the top of the cabinet.

Level by turning the special levelling feet on the bottom of the cabinet.

Before using

Remove all securing tapes. Wash inside the appliance with lukewarm water and a little bicarbonate of soda (one teaspoonful to one quart of water).

Do not use soap or detergent as the smell might linger and taint food. Dry thoroughly.

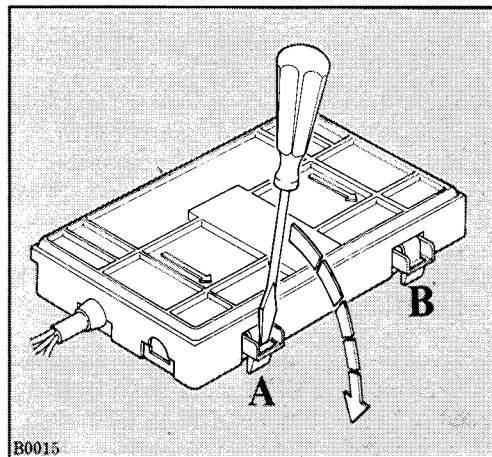


fig. 1

Refrigerator/ Freezer

Starting-up and Temperature Regulation

Insert the plug into the wall socket. Open the refrigerator door and turn the thermostat knob, to be found on the upper right side of the inner liner, clockwise, from the "0" or STOP position, to start the appliance.

Temperature adjustment is obtained by turning the thermostat knob to the required setting. A medium setting is generally the most suitable.



However, the thermostat knob setting should be adjusted depending on the temperature required inside the appliance. This, in turn, depends on a number of factors such as the ambient temperature, the number of times the door is opened, the quantity of food stored and the location of the appliance.

Turn the knob clockwise, to higher numbers, to obtain a lower temperature, or anticlockwise if a higher temperature is required.

Frozen food storage and freezing

Net storage capacity of freezer: 65 litres

Total gross capacity of both compartments: 320 litres

The 4-star compartment  is suitable for long term storage of commercially frozen food marked by the symbol  (i.e. for 3 months, unless otherwise stated by the manufacturer), and for freezing fresh food. Do not exceed the storage times shown by the manufacturer on the commercially frozen food packets.

Under normal circumstances, to freeze fresh foods it is not necessary to change the setting of the thermostat knob with respect to the normal running position.

However, for a quicker freezing operation, turn the thermostat knob to the coldest

setting; but remember that, in this condition, the refrigerating compartment temperature might drop below 0 °C. If this occurs reset thermostat knob to a warmer setting.

To help you make the most of the freezing process, here are some important hints:

Only freeze top quality, fresh and thoroughly cleaned, foodstuffs.

Prepare the fresh food in small portions to enable it to be rapidly and completely frozen and to make it possible subsequently to thaw only the quantity required at the time.

Wrap up the food in aluminium foil or polythene and make sure that the packages are airtight.

Place the food to be frozen on the shelf of the freezing compartment as this is the coldest part.

Maximum quantity of food which can be frozen in 24 hrs : 4 kg.

IMPORTANT: Do not put carbonated liquids (fizzy drinks, etc.) in the freezing compartment as they may burst.

Water ices, if consumed immediately after removal from the freezing compartment, can possibly cause the skin to be freeze burnt.

Do not allow fresh, unfrozen food to touch food which is already frozen, thus avoiding a rise in temperature of the latter.

Remember that, once thawed, frozen food deteriorates rapidly, even if it is refrozen again, so do not re-freeze.

If there is a power failure when food is in the freezer, do not open the door of the freezing compartment.

The frozen food will not be affected if the power cut is of short duration (a temperature increase of the frozen food could shorten its safe storage period), otherwise, it is recommended that the food should be used within a very short time.

Fresh food refrigeration

To obtain the best performance, do not store warm food or evaporating liquids in the refrigerator; do cover or wrap the food, particularly if it has a strong flavour. Do not cover the shelves with any protective material, such as paper, cardboard or plastic, which may obstruct the air circulation through them.

To help you use your refrigerator correctly, here are some more useful hints:

Raw meat (beef, pork, lamb & wild fowl): Store in polythene bags and place on top of the salad crisper and, for safety, only store in this way for one or two days at the most.

Fruit & vegetables: these should be thoroughly cleaned and placed in the bottom salad crisper.

Butter & cheese: these should be placed in special airtight containers or wrapped in aluminium foil or polythene bags to exclude as much air as possible.

Milk bottles: these should have a cap and should be stored in the bottle rack on the door.

Push the dispenser tap on and off a number of times to allow sugar deposits from soft drinks or sweet wines to dissolve out of it.

Empty the container and rinse with clean water.

Drink-dispenser (Some models only)

The container for cooling drinks, which is located on the inner door or, depending on the model of appliance, on the ceiling of the fridge compartment, can easily be removed from its runners for filling and cleaning.

To pour out a drink, press the glass upwards, against the tap arms.

When the glass is removed, the tap turns itself off.

To clean the container, we recommend that you rinse it several times with hot water after letting the water cool down inside the container itself.

It also helps, for a thorough cleaning of the container, to add a spoonful of bicarbonate of soda to the rinsing water.

Defrosting

Frost is automatically eliminated from the evaporator of the refrigerator compartment every time the motor compressor stops, during normal use.

The defrost water drains out through a trough into a special container on the back of the appliance where it evaporates. The freezer compartment, however, will become progressively covered with frost. This should be removed with the special plastic scraper provided, whenever the thickness of the frost exceeds $\frac{1}{4}$ ".

During this operation it is not necessary to switch off the power supply or to remove the foodstuffs. However, when the ice becomes very thick on the inner liner, complete defrosting should be carried out and it is advisable to carry out this operation when the appliance is empty.

To carry out complete defrosting of the freezer compartment proceed as follows:

Remove any stored food, wrap it in several layers of newspaper and put it in a cool place.

Pull out the plug from the wall socket.

Leave the door open.

When defrosting is completed, dry the interior thoroughly.

Replace the plug in the socket and, after letting the appliance run for at least half an hour, replace the previously removed food into the compartment.

Important: A temperature rise of the frozen food packs, during defrosting, may shorten their safe storage life.

Never use sharp metal tools to scrape off frost from the evaporator as you could damage it by so doing.

Wine-cellar compartment

Through a simple operation this refrigerator makes it possible to obtain a "mild" temperature in compartment "e" (Fig.3) in that an ideale "wine-cellar temperature" is reached there.

Compartment "e" is separated by a shelf on which two vegetable trays "d" are placed (Fig.3). This shelf features a pushbutton "a" (Fig.2) which controls the cold air flow through a number of holes in the shelf itself, thus providing in this compartment an ideal "wine-cellar temperature".

To obtain this ideal "wine-cellar temperature", pull out pushbutton "a" completely. If, on the contrary, you wish to use this section as a normal refrigerator compartment, push this button in all the way.

Fig. 3 gives some indications as to the best way to store foodstuffs and drinks in the various compartments, i.e.:

Freezer (A)- this is for storing frozen food and for freezing fresh food

Refrigerator (B)- this is for storing soft cheese, blue cheese, etc.

Refrigerator (C)- this is for storing meat, fresh fish, milk, yoghurt (this is the coolest part of the refrigerator).

Refrigerator (D)- this is for storing fresh vegetables.

"Wine-cellar" (E)- this is for storing wine, fruit, unripe tomatoes, potatoes, lemons, soft drinks, hard cheese, canned food, etc.

Important: if pusbutton "a" (Fig.2) is on the normal refrigeration position, the temperature in compartment "e" will drop to approximately the same level as in section "b".

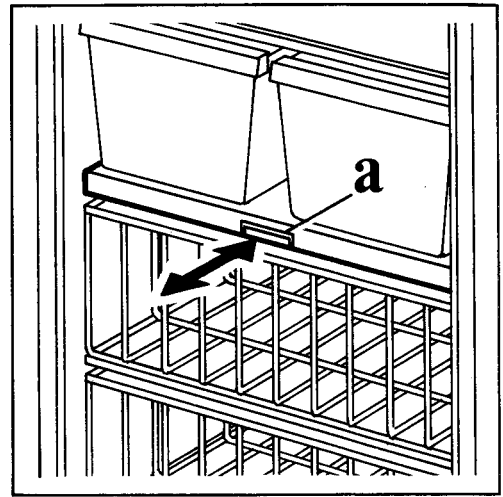


fig. 2

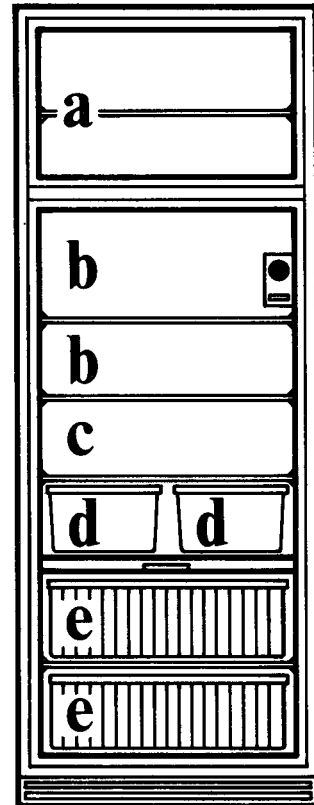


fig. 3

Maintenance

Prior to undertaking any maintenance operation, be sure to unplug the appliance from the wall socket as a safety precaution.

Clean the interior periodically with lukewarm water and some bicarbonate of soda; the cabinet exterior with a Silicone wax spray; the condenser and the motor compressor with a brush or a vacuum cleaner.

During periods when the appliance is not in use, take the following precautions:

- unplug the appliance from the power supply;
- remove all foodstuffs from the appliance;
- clean the interior and all accessories;
- leave the door ajar to facilitate the circulation of air in the interior of the cabinet so as to prevent unpleasant odours from accumulating in the appliance.

Servicing

Should service be required for this appliance, contact your local Service Agent; but, before requesting service, the following simple checks may save you inconvenience and expense:

Check that the plug is firmly in the wall socket.

Check that there is an electricity supply to the socket by plugging in another appliance and operating it.

If it is felt that the compressor may be faulty turn the thermostat knob to the coldest setting and, leaving the door open also for a few minutes, listen to check if the motor then runs and see if the evaporator frosts over.

If the motor still does not run or frost does not form on the evaporator contact your Service Agent.

Door reversal directions

Important

Before carrying out the operations described below unplug the mains lead from the wall socket.

To carry out this reversal, proceed as follows:

1. Remove the front base by unscrewing the two front fastening screws.

Remove the lower hinge securing screws (fig.4).

Remove the bottom door by lowering it down from the middle hinge.

Remove the middle hinge securing screws (Fig.5).

Remove the plastic plugs from the screw holes of the new middle hinge location and refit them in the holes on the opposite side.

Remove the top door by lowering it down from the top hinge.

Remove the top hinge (Fig.6) and refit it on the opposite side, ensuring that the gasket is correctly fitted beneath it with its thicker side outwards.

Refit the upper door.

Refit the middle hinge (Fig.5) upside-down with respect to the previous position.

Refit the lower door.

From the lower door, for models provided with door stop hinge E (Fig.4), remove this hinge and refit it on the opposite side of the door.

Remove the door rotation pivot D (Fig.4) from the lower hinge and refit it into hole A (Fig.4), then replace the hinge on the opposite side of the cabinet (the fastening holes are already provided).

Refit the front base making sure that the hole for the hinge is on the left side, then secure it by means of the two screws previously removed.

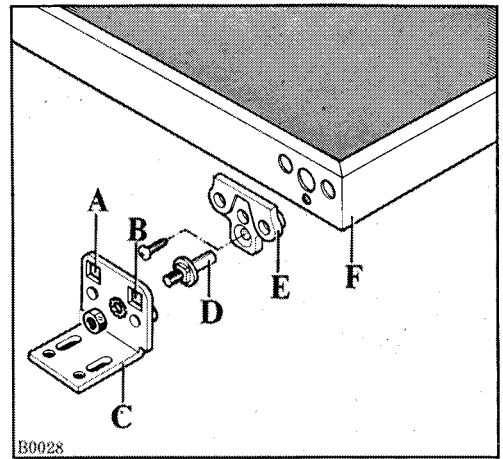


fig. 4

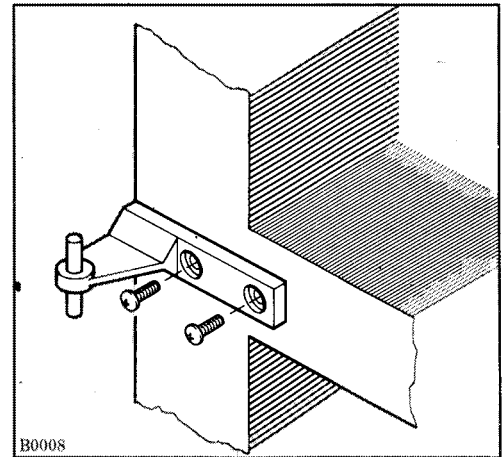


fig. 5

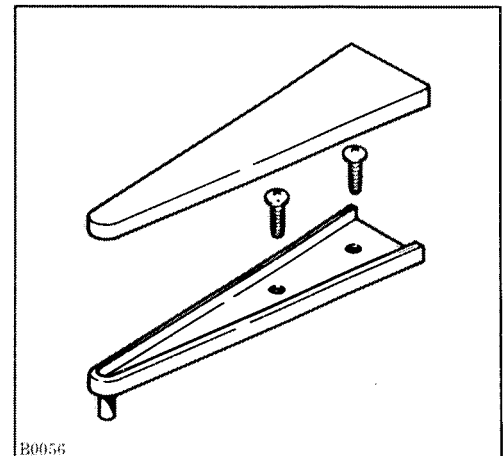


fig. 6

Important

The central hinge is designed to allow a certain amount of side clearance (play), i.e. approx. 3 mm horizontally, which makes it easy to line up the two doors by proceeding as follows:

Loosen the two screws securing the hinge to the cabinet.

Carefully position the hinge until the two doors are perfectly aligned, then firmly screw down the hinge in its new setting (position).

Plug the mains lead back into the wall socket.

Reversing Door handles

Remove the handle by unscrewing the two fastening screws.

Remove the plastic plugs from the screw holes of the new handle location and refit them in the free holes on the opposite side;

Refit the handle upside-down on the opposite side of the door.

Fitting a door front panel

Take off the removable section of the door frame, from the side opposite to the hinges, after unscrewing the securing screws (Fig.7).

Loosen, without removing, all securing screws from the door frame.

Slide in, on the side from which the removable section of the door frame was taken, the covering panel and push it in all the way.

Re-fasten the frame to the door, including the previously removed frame section.

Note: The over-all dimensions of the outer front panel should be 1-2 mm smaller than those of the door, and the thickness should not exceed 4 mm.

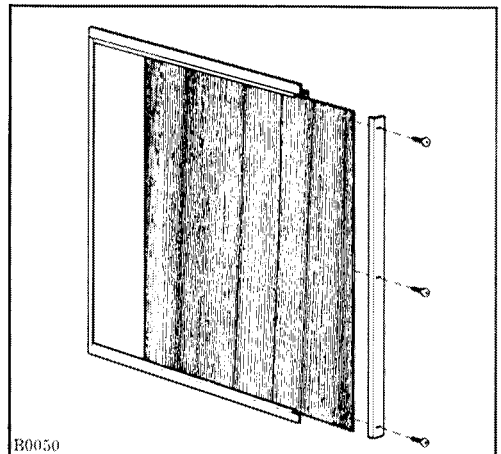


fig. 7

ZANUSSI GUARANTEE CONDITIONS

This guarantee is in addition to your statutory and other legal rights which will not be excluded or in any way diminished by the return of the enclosed card.

We, IAZ International (UK) Ltd, guarantee that if within twelve months of the date of the purchase, this ZANUSSI appliance or any part thereof is proved to be defective by reason only of faulty workmanship or materials we will at our option repair or replace the same **FREE OF ANY CHARGE** for labour, materials or carriage on condition that:

- The appliance has been correctly installed and used only on the electricity supply stated on rating plate.
- The appliance has been used for normal domestic purposes and in accordance with the manufacturer's operating and maintenance instructions.
- The appliance has not been serviced, maintained, repaired, taken apart or tampered with by any person not authorised by us.

- The appliance is still in the possession of the original purchaser.
- Any appliance or defective part replaced shall become our property.

This guarantee does not cover any damage caused during transportation or the replacement of any light bulbs or removable parts of glass or plastic.

Should you require service on your Zanussi appliance consult the enclosed list for your nearest Zanussi network centre. If the product is under first year guarantee then you will be required to produce proof of date of purchase to the engineer. If it is under 5 year cover then you must show your cover card to the engineer.

Please ensure that the enclosed pre-addressed card is stamped, completed in full and forwarded to IAZ International (UK) Ltd, to enable the guarantee to be recorded. Also complete the space below as your own record of the guarantee.

GUARANTEE RECORD

Appliance purchased from _____ on _____
Guarantee card no _____ Model no _____
Serial no _____ (These details may be taken from your Guarantee Record Card)
Your name _____
Address _____

